

L2106 Universal Explosion-proof LED Lighting

Lighting with Protection Guard
4ft: 1384mm (36W)



Zone 2 **Zone 21** **Zone 22** **IP67** **NEMA 6**

Protection

- Ex nR IIC T6 Gc
- Ex tb IIIC T85°C Db
- Ex II 3 G Ex nR IIC T6 Gc
- Ex II 2 D Ex tb IIIC T85°C Db

Standards

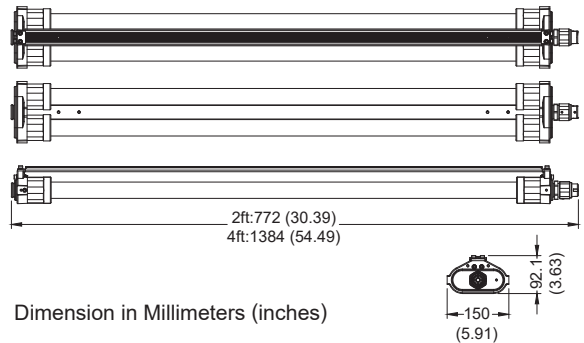
- IEC 60079-0
- IEC 60079-15
- IEC 60079-31
- EN IEC 60079-0
- EN IEC 60079-15
- EN 60079-31

Net Weight: 2ft-3.2 kg (7.1 lb)
4ft-5.6 kg (12.3 lb)



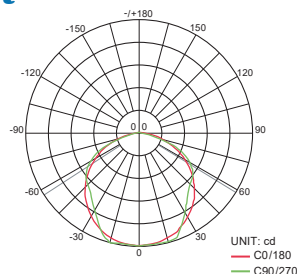
Technical Data

Rated Voltage (±10%)	100V ~ 277V AC
Watts (±10%)	2ft: 18W, 4ft: 36W 2ft: 20W, 4ft: 40W (Only for Yellow Light)
Amps	18W: 0.06A~0.18A, 20W: 0.07A~0.20A, 36W: 0.13A~0.36A, 40W: 0.14A~0.40A
Color of LED Light	Warm White (3000K) / Natural White (4000K) / Daylight (5700K) Cool White (6500K) / Yellow tube (20W&40W)
Ambient Temperature	-20°C ~ +40°C, T6
Power Factor	≥0.95/100VAC, ≥0.95/110VAC, ≥0.9/220VAC, ≥0.8/277VAC
CRI	Warm White ≥ 70 / Natural White ≥ 70 / Daylight ≥ 70 / Cool White ≥ 70
Lm / W (±10%)	100 lm/w (Excluding Yellow Light)
Beam Angle	X-110° / Y-110°
Frequency	50 / 60 Hz
Degree of Protection	IP67 / NEMA 6
Material	• Enclosure: Aluminum Alloy • Lighting Tube: PC
LED Service Life	60,000 hrs
Entrance Thread	M25

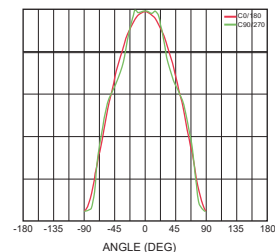


Optical Report

Polar-Luminous Intensity Distribution



Luminous Intensity Distribution Diagram

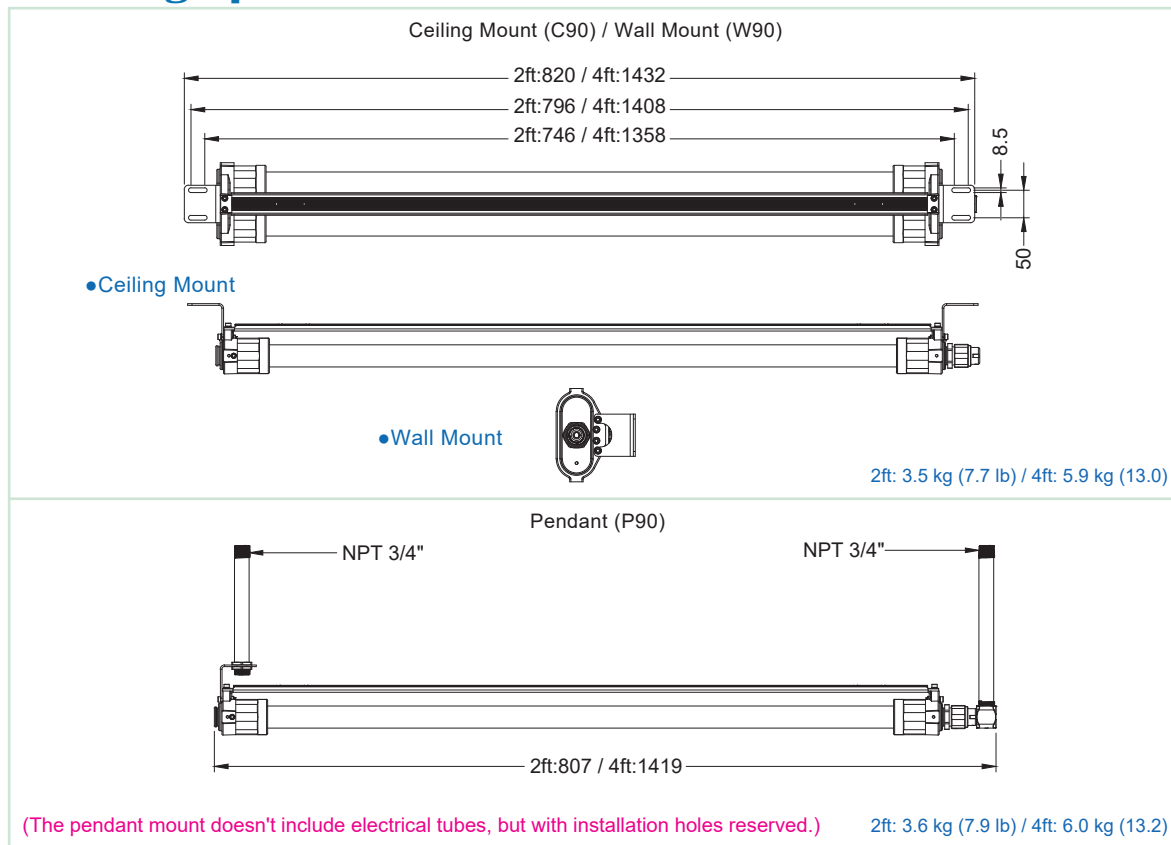


Model Code

THT	H	2106	D	D	W	H	C6	C90	G
			①		②		③	④	⑤

- ① **Size**
C=2ft W=Warm White (3000K)
D=4ft N=Natural White (4000K)
D=Daylight (5700K)
C=Cool White (6500K)
Y=Yellow tube
- ② **C.C.T.**
- ③ **Wattage**
A8=18W (2ft)
C6=36W (4ft)
B0=20W (2ft, Yellow)
D0=40W (4ft, Yellow)
- ④ **Mounting Bracket Type**
C90=Ceiling Mount
W90=Wall Mount
P90=Pendant
- ⑤ **Optional Accessory**
R=Reflector
G=Protection Guard
(Keep the code blank if no accessory is needed.)

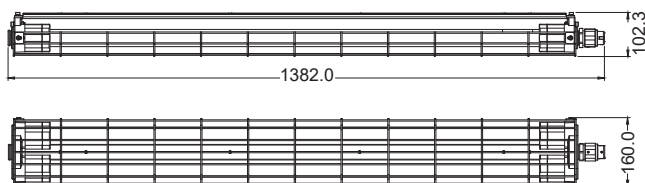
Mounting Option & Dimensions (All in mm)



Optional Accessory

●Protection Guard

2ft:0.48 kg (1.1lb) / 4ft:0.87 kg (1.69lb)



●Reflector

2ft:0.9 kg (2.0lb) / 4ft:1.9 kg (4.2lb)

