

L1733NS Hazardous Location LED High-Bay Luminaires



*The glass of lighting fixture is replaced by protective guard.



Protection

- Class I, Division 2, Groups A, B, C, D

Standards

- UL 1598
- UL 844
- DLC



Optional: Sensing Device (Daylight or Occupancy Sensor)

Net Weight: 11.8 kg (26 lb)

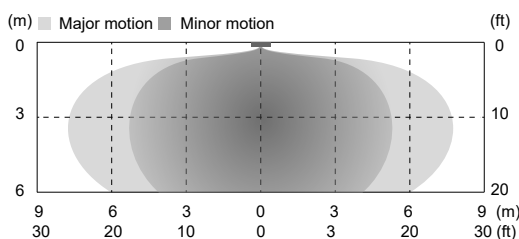
Technical Data

Rated Voltage ($\pm 10\%$)	100~277V AC
Watts ($\pm 10\%$)	100W / 110W / 120W / 130W / 140W / 150W / 160W / 170W / 180W / 190W / 200W
Amps	0.36A~2.77A
Color of LED Light	3000K (Warm White) / 5000K (Cool White)
Power Factor	$\cos \geq 0.9$
CRI	≥ 70
Lm/W ($\pm 10\%$)	Cool White $\geq 155\text{lm/w}$; Warm White $\geq 150\text{lm/w}$
Lens Angle	30° / 60° / 90°
Frequency	50 / 60 Hz
Degree of Protection	IP67 / NEMA 6
Material	<ul style="list-style-type: none"> • Enclosure: Aluminum alloy • Lens: Polycarbonate
LED Service Life	60,000 hrs
Entrance Thread	1 × NPT 3/4"

Occupancy Sensor: Detection Pattern

Mounting Height	3 m (10 ft)	6 m (20 ft)
Coverage*	180 m ² (2,000 ft ²)	100 m ² (1,200 ft ²)

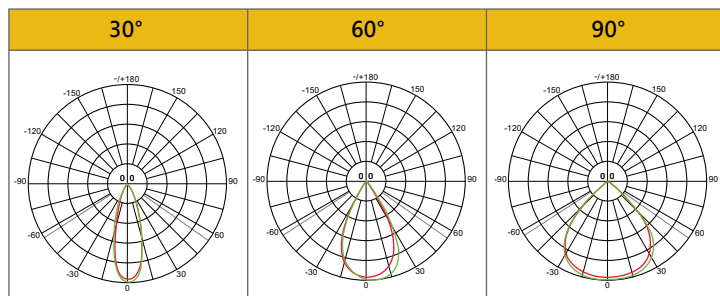
*Sensitivity 100%



Daylight Sensor: Digital data control ambient light sensor

Sensing Range	Approx. 2~2,000 lux (0.2~200 fc)
Field of View	Approximate 80°

Lens Angle



UNIT: cd
 — C0/180
 — C90/270

*Please specify the required lens angle when ordering.

Model Code

THT	H	1733S	S	K	C	H	T0	02
			①		②		③	

① **Sensor**

S =With Sensor
Z =Without Sensor

② **C.C.T.**

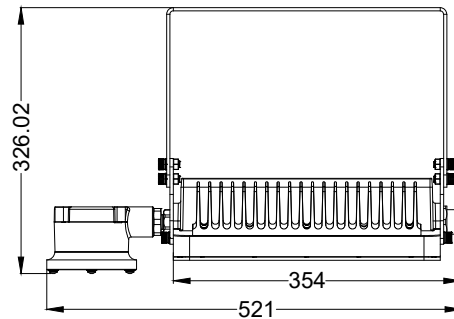
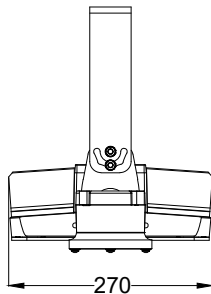
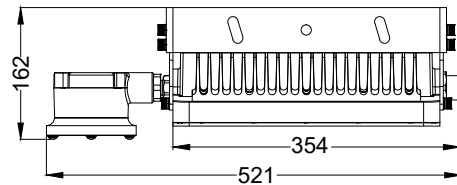
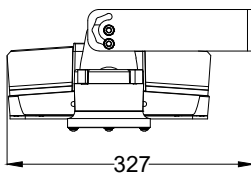
C =Cool White
W =Warm White

③ **Wattage**

J0=100, K0=110W, L0=120W, M0=130W
N0=140W, P0=150W, Q0=160W, R0=170W
S0=180W, T0=190W, U0=200W

Mounting Option & Dimensions [All in millimeters]

Wall / Hanging Mount (WHT)



14.2 kg (31.3 lb)

Search the DLC Qualified Products Lists

<https://qpl.designlights.org/qpl/solid-state-lighting>